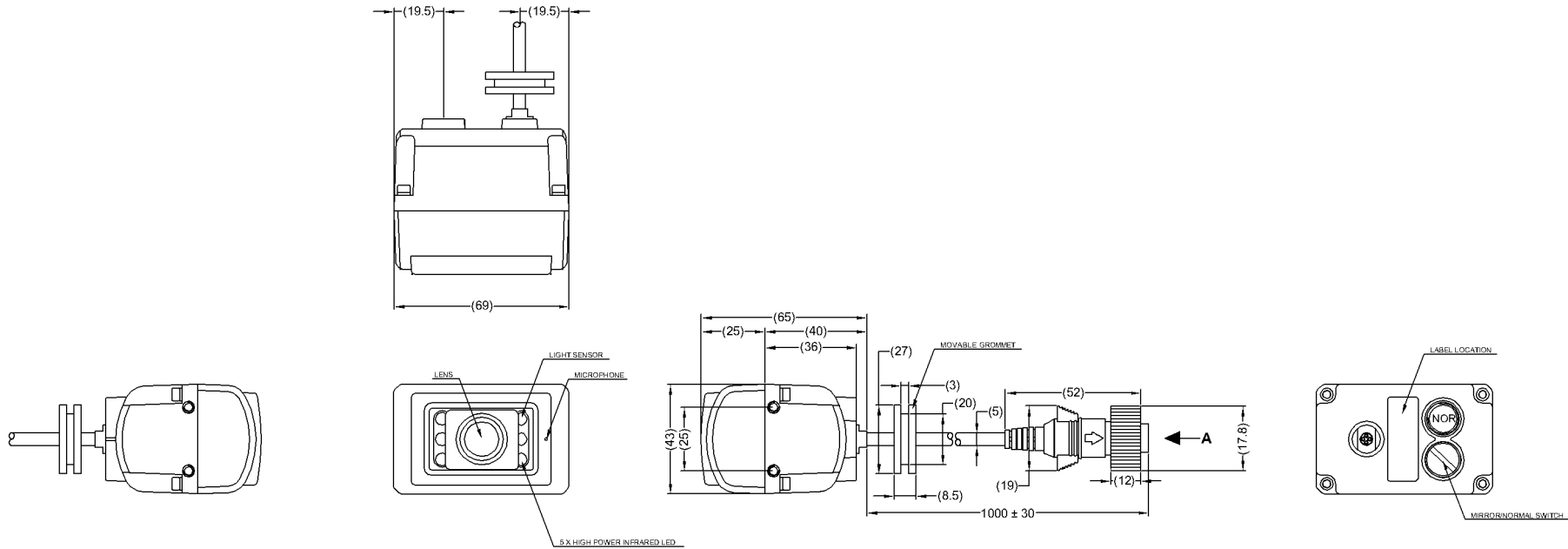
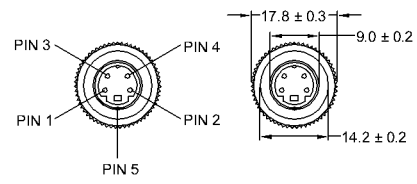
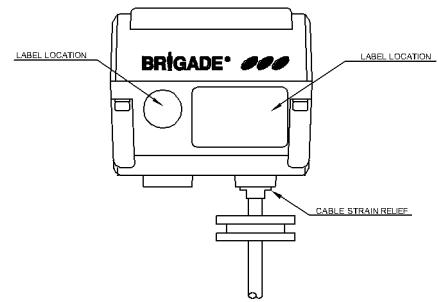


Revision Notes.				
R1 -				
APA: -	Drawn:-	Checked:-	Approved:-	Date: -



**VIEW A**



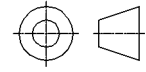
**4 PIN MINI DIN MALE MATING FACE**

PIN #	WIRE COLOUR	DESCRIPTION
1	YELLOW	VIDEO
2	RED	+12V
3	BLUE	N.C
4	WHITE	AUDIO
5	BLACK/SHIELD	GND

- NOTES:**
1. REFER TO "PRODUCT SPECIFICATION" FOR MORE DETAILS.
  2. REFER TO COMPONENT DRAWINGS FOR COMPONENT DETAILS.
  3. ENSURE SELF AMALGAMATING TAPE IS USED DURING INSTALLATION.
  4. ANY CUSTOMER MODIFICATION OF THIS PRODUCT CAUSING SUBSEQUENT FAILURE IS NOT A LIABILITY OF BRIGADE ELECTRONICS PLC.
  5. FOR PRODUCT LABEL REFER TO LATEST REVISION OF DRAWING BE-002900-XX-14.

**PROPRIETARY NOTICE**  
 THIS DESIGN AND TECHNICAL INFORMATION APPEARING ON THIS DRAWING IS THE PROPERTY OF BRIGADE ELECTRONICS, AND IS DISCLOSED IN CONFIDENCE. IT IS NOT TO BE COPIED, REPRODUCED, REVEALED TO OR EXPROPRIATED BY OTHERS, EITHER IN WHOLE OR IN PART WITHOUT THE EXPRESS WRITTEN CONSENT OF BRIGADE ELECTRONICS.



Assembly Pl Approval T.CHOI	Approved by B.JOHN	Checked by R.BATES	Drawn by A.FEDERIGHI
Angle of Projection	Units mm	Scale N/A	Released 27/06/14
 Third Angle	Status RELEASED	BE-800C(78)-C	
	Part No #3482B	BE-002937-00-14	